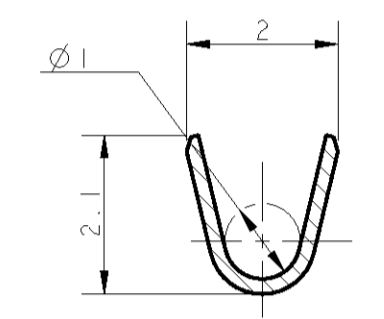
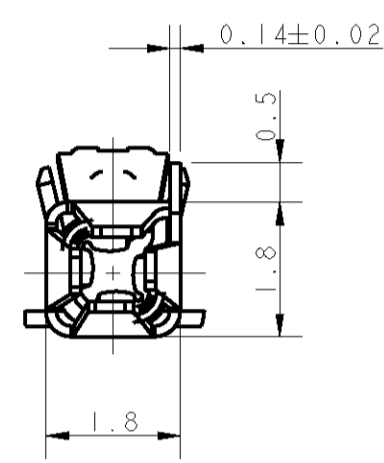
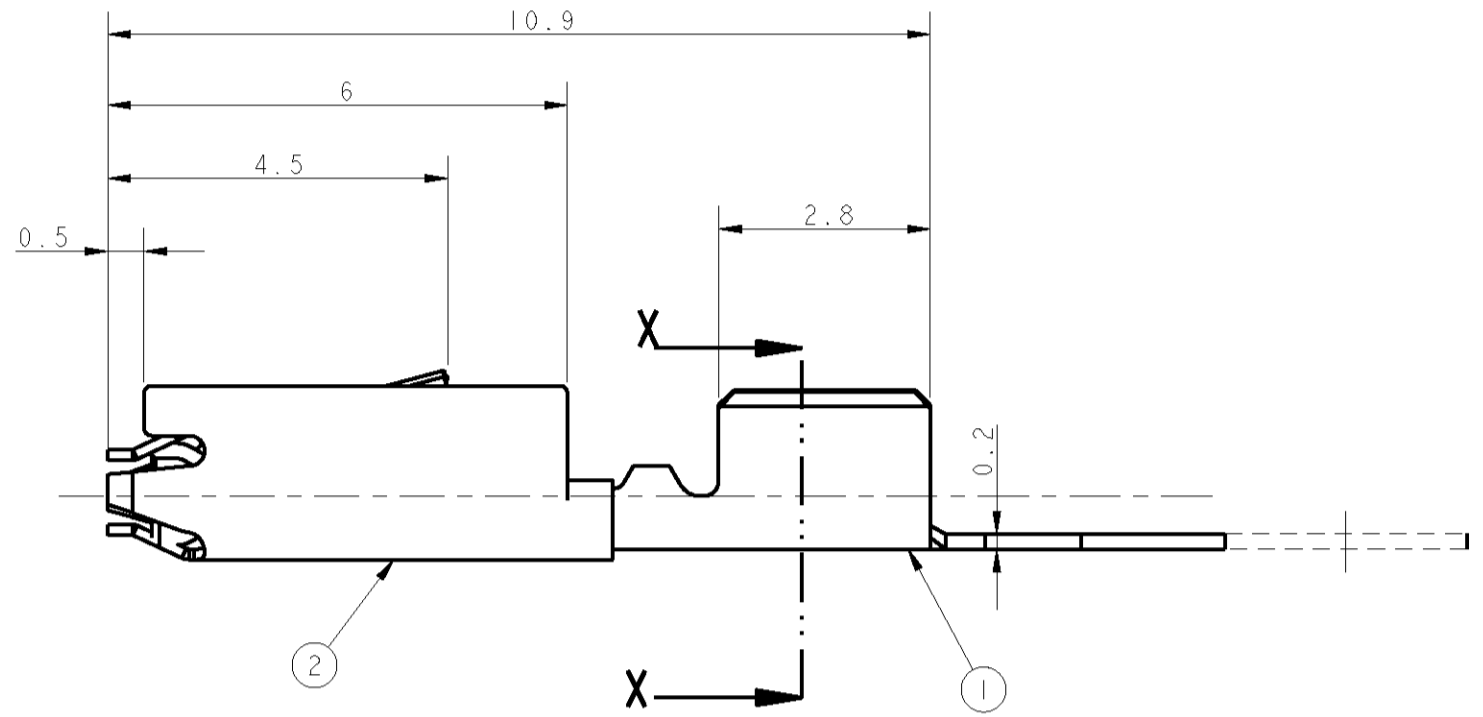
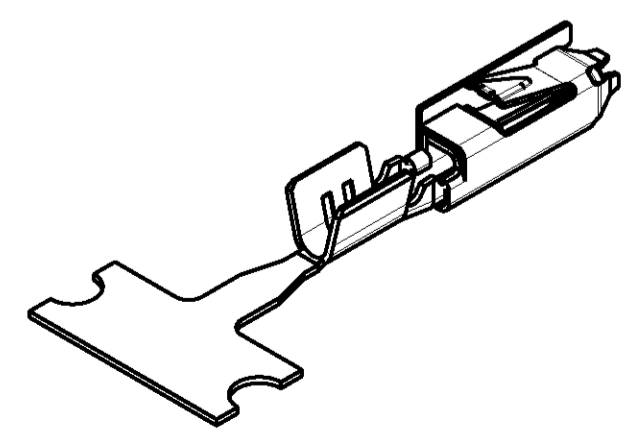
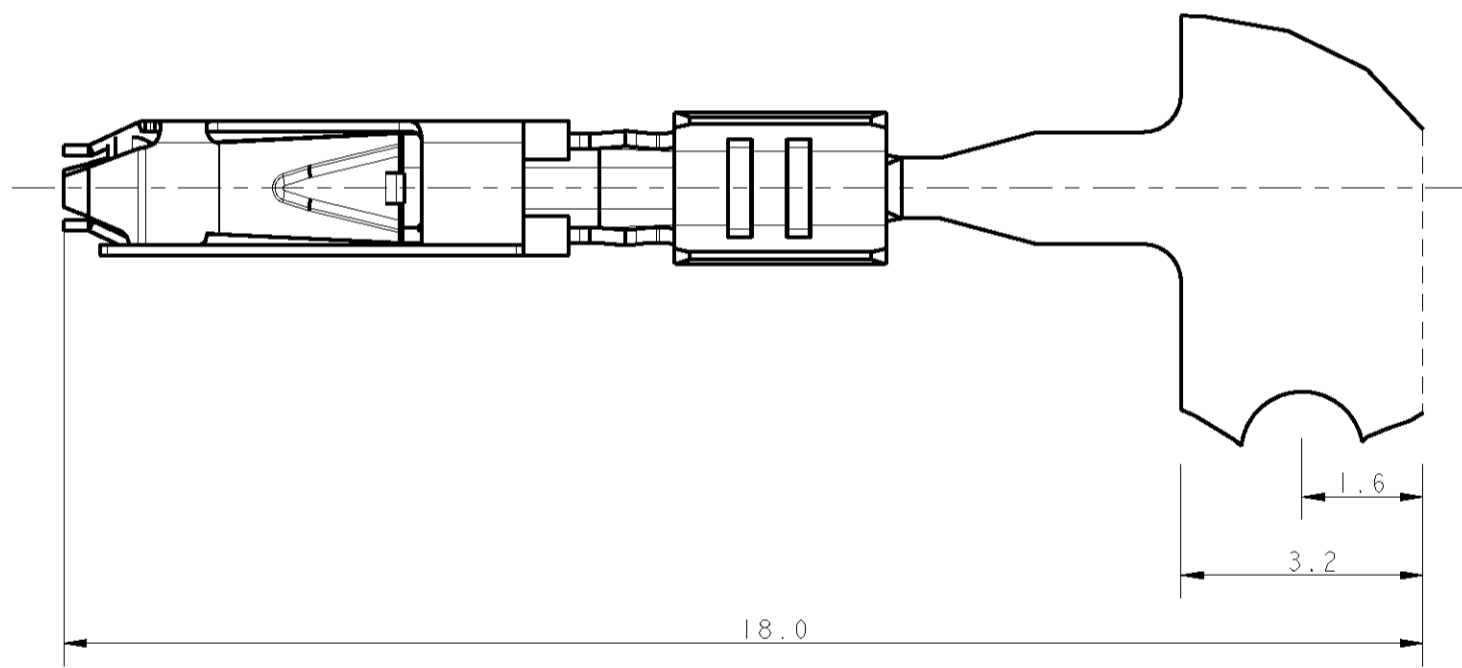


THIS DRAWING IS UNPUBLISHED. RELEASED FOR PUBLICATION
 © COPYRIGHT 2007 BY TYCO ELECTRONICS CORPORATION. ALL RIGHTS RESERVED.

LOC	DIST	REVISIONS			
P	LTR	DESCRIPTION	DATE	DWN	APVD
C		Redrawn; add-4 and -6; new spring design	11SEP2008	AV	GT
CI		Revised documentation ECR09-002001	28JAN2009	AV	GT
D		Changed spring design	04FEB2010	AV	GT
E		UPDATED PART REVISION	24FEB2011	AV	GT



SECTION X-X



MASSTAB 5:1

Bemerkungen
NOTES

1. Passend zu Stiftkontakt siehe Zeichnung: AMP:1740335
SUITABLE FOR PIN CONTACT SEE DRAWING:
2. Kontakt geeignet für Drahtgrößenbereich 0.5...0.75mm²
CONTACT ACCEPTS WIRE-SIZE 0.5...0.75mm²
3. Halbautomatisches Werkzeug und Handzange
(je für 2 crimps in einem Durchgang) verfügbar
SEMI-AUTOMATIC TOOL AND HANDTOOL
(EACH FOR 2 CRIMPS IN ONE CYCLE) AVAILABLE:
4. Abmantellänge für crimp ist 3,5 mm
STRIPPED CABLE LENGTH FOR CRIMP IS 3.5mm
5. Gewicht ca. 0,12g
WEIGHT ABOUT 0.12g
6. Werkzeugvorschub 7,0 mm
DIE FEED 7,0 mm
7. Aufgerollt auf Kartonspule
REELED ON PAPER-REEL

9	1740336-7	E	2	SPRING	X10CrNi 18 8		
			1	BODY	CuNiSi GOLD PLATED		
9	1740336-4	E	2	SPRING	X10CrNi 18 8		
			1	BODY	CuNiSi TIN PLATED		
9	1740336-1	E	2	SPRING	X10CrNi 18 8		
			1	BODY	CuNiSi BLANK		
DIRECTION OFF TOP OF REEL		PART NO	REV	POS	DESCRIPTION	MATERIAL	FINISH OF CONTACT AREA

DIRECTION OFF TOP OF REEL Fertigungszustand M 1:1	THIS DRAWING IS A CONTROLLED DOCUMENT FOR TYCO ELECTRONICS CORPORATION IT IS SUBJECT TO CHANGE AND THE CONTROLLING ENGINEERING ORGANIZATION SHOULD BE CONTACTED FOR THE LATEST REVISION		DWN PRAVEEN 24 APR 06 CHK S. SKADE 24 APR 06 APVD T. GERLACH 24 APR 06	Tyco Electronics AMP GmbH 64625 Bensheim (Germany)	
	DIMENSIONS: mm 	TOLERANCES UNLESS OTHERWISE SPECIFIED: 0 PLC ±- 1 PLC ±0.2 2 PLC ±- 3 PLC ±- 4 PLC ±- ANGLES ±- FINISH ±-	PRODUCT SPEC 108-94018 APPLICATION SPEC 114-18751 WEIGHT -	MICRO QUADLOK SYSTEM SOCKET CONTACT	
SEE TABLE	SEE TABLE	CUSTOMER DRAWING	SIZE A2 CAGE CODE 00779 DRAWING NO 1740336	RESTRICTED TO	
			SCALE 10.1	SHEET 1	REV E